



**Gold Seal®**

*We're making  
quite a splash!*

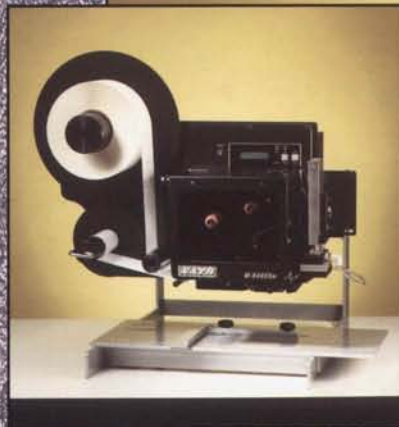
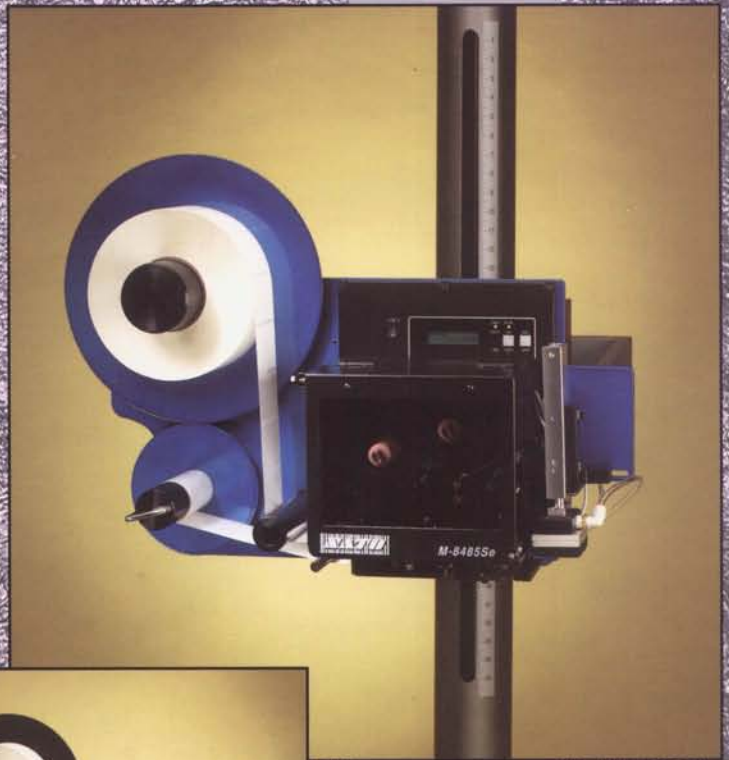
*The best thermal transfer  
printer applicator  
in its class.™*

**S**imple, efficient  
design

**E**conomical to buy  
and install

**A**utomatic, reliable  
operation

**L**ittle in size, big in  
features



**ACTION  
PACKAGING SYSTEMS**



*The best thermal transfer printer applicator in its class.™*

## General Description

The new Gold Seal® is a state-of-the-art, compact, value-packed thermal transfer printer applicator that's ideal for stand-alone or integrated, industrial or consumer labeling and coding operations. Key features include:

- No-knob, minimal operator adjustment for reliable operation
- Selectable "Tamp" or "Tamp/Blow" operation
- Labels and ribbons are both the same length for maximum efficiency and minimal downtime
- Tamp pad retracts upon impact
- Small footprint fixture base or stand configuration for maximum space-efficiency and flexibility

## Standard Specifications

### Fonts

12 proportional and mono-spaced fonts; character expansion up to 12 times vertically, horizontally, independently. Scalable from 7-72 points.

### Bar Codes/Symbologies

All popular symbologies, including: UPC A/E, EAN 8/13, Code 39/128, I 2/5, UPC Bookland, Matrix 2/5. Postnet, UCC/EAN 128, PDF-417, Maxicode, Data Matrix

### Plug-in Interface Modules

RS-232C serial interface (9,600 – 57,600 bps), high-speed IEEE1284 (ECP) parallel interface, 10/100Base@T Ethernet, USB, Twinax/Coax, RF

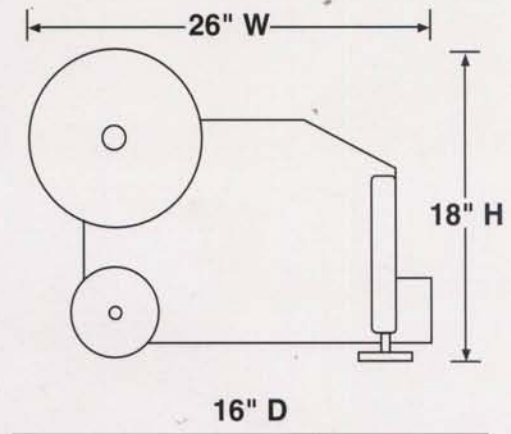
### Sato and Zebra Engines

	Sato M-8485Se	Sato M-8490Se
Resolution	203 dpi	305 dpi
Minimum Media Width	1.0"W x 0.25" L	1.0"W x 0.25" L
Maximum Media Width	5.25"	5.25"
Maximum Print Width	5.0"	5.0"
Maximum Print Speed	12.0ips	8 ips

Label Roll Diameter: 12 inches O.D.  
Label Core Diameter: 3 inches  
Utilities: 110-120 VAC; 60psi dry air @ 3 cfm  
Approvals: FCC Class A, UL, CSA, CE

## Dimensions

Gold Seal applicator: 26"W x 18"H x 16"D  
With fixture base: 26"W x 24-1/2"H x 22"D  
With T-stand: 45"W x 54"H x 34"D



## How to Order

Please contact the authorized dealer below:



*We turn your packaging ideas into action.™*

374 Somers Road (Route 83)  
Ellington, CT 06029-2628, USA  
Phone: 860/872-6311

Toll-free: 800/635-5364 • Fax: 860/875-4293  
Email: [info@ActionPkg.com](mailto:info@ActionPkg.com) • Web: [www.ActionPkg.com](http://www.ActionPkg.com)